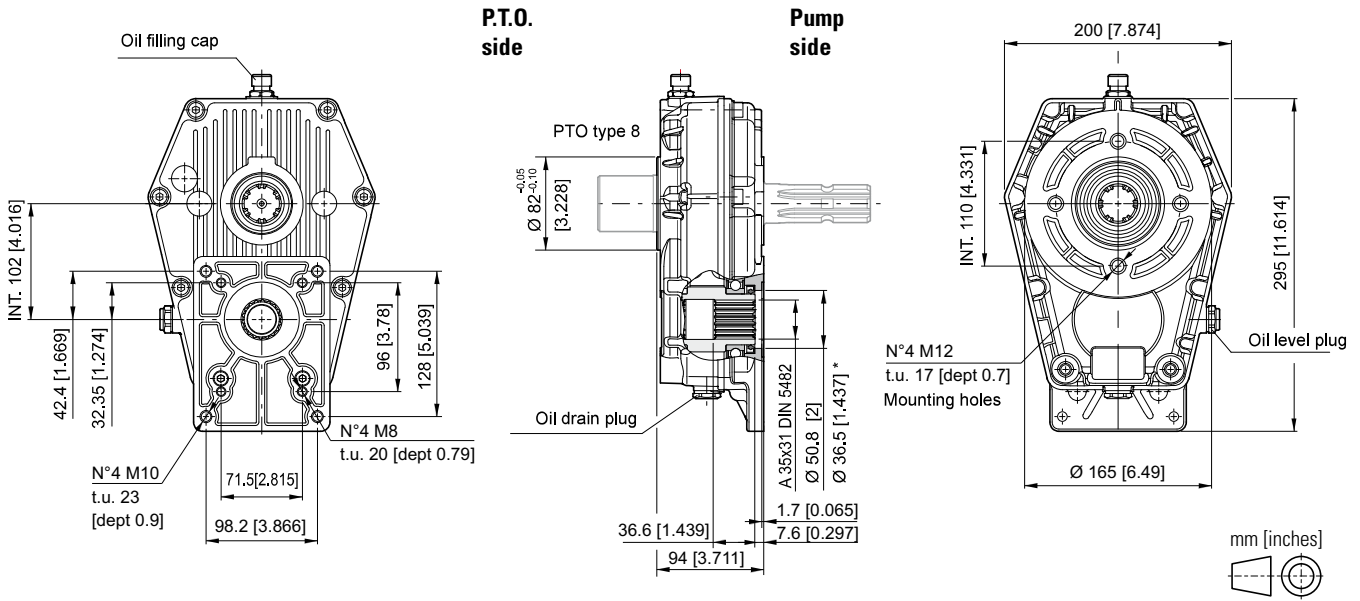
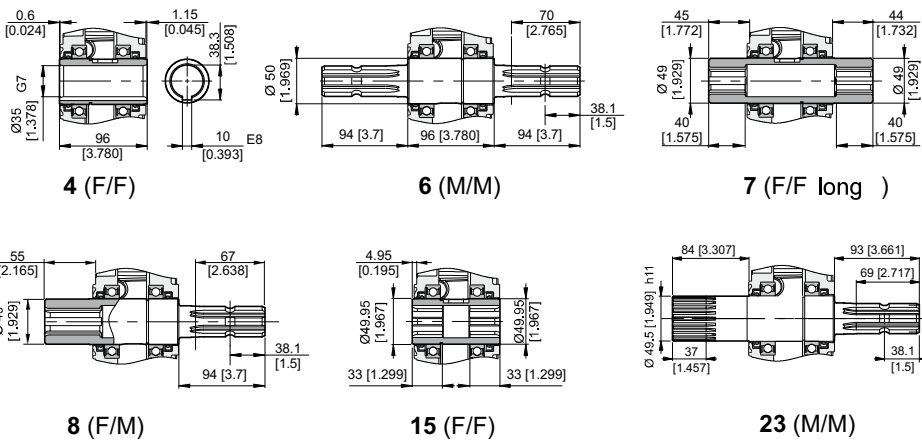


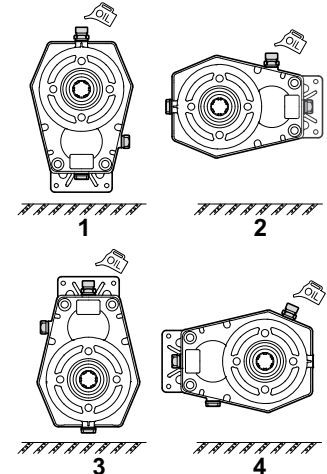
SPEED INCREASER GEARBOX WITH THROUGH-SHAFT FOR PUMPS GR.2/3 WITH EUROPEAN UNIFIED FLANGE



P.T.O.



Mounting positions



ORDERING CODE

ML52B - ** -1/ *** - *

ML52B = Speed increaser (aluminium body)

P.T.O.

- 4** = Female/Female $\varnothing 35$ short
- 6** = Male/Male 1" 3/8 DIN 9611
- 7** = Female/Female 1" 3/8 DIN 9611
- 8** = Female/Male 1" 3/8 DIN 9611
- 15** = Female/Female 1" 3/8 DIN 9611 short
- 23** = Male 50x45 Z=24 DIN 5482
Male 1" 3/8 DIN 9611

Mounting positions 1 / 2 / 3 / 4

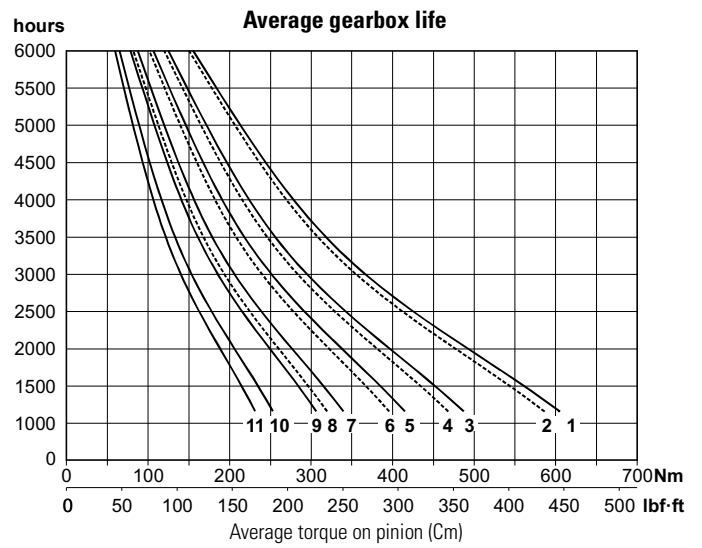
Transmission ratio

- 1** = 1 : 1.0
- 1,5** = 1 : 1.5
- 2** = 1 : 2.0
- 2,6** = 1 : 2.6
- 3** = 1 : 3.0
- 3,4** = 1 : 3.4
- 3,8** = 1 : 3.8

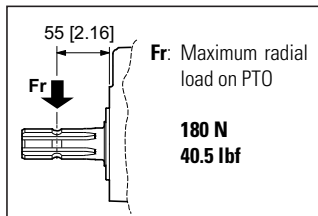
Coupling for pump to be required to our sales department.

TECHNICAL DATA

Transmission ratio	Maximum torque Nm [lbf-ft]				Weight kg [lb]
	540 rpm		1000 rpm		
	C1*	C2*	C1*	C2*	
1 : 1.0	604 [445]	318 [235]	585 [431]	308 [227]	9,4 [20.7]
1 : 1.5	486 [358]	256 [189]	467 [344]	246 [181]	9 [19.8]
1 : 2.0	414 [305]	218 [161]	395 [291]	208 [153]	8,6 [19]
1 : 2.6	339 [250]	178 [131]	319 [235]	168 [124]	8,9 [19.6]
1 : 3.0	306 [226]	161 [119]	—	—	8,6 [19]
1 : 3.4	253 [187]	133 [98]	—	—	9 [19.8]
1 : 3.8	231 [170]	122 [89]	—	—	8,4 [18.5]



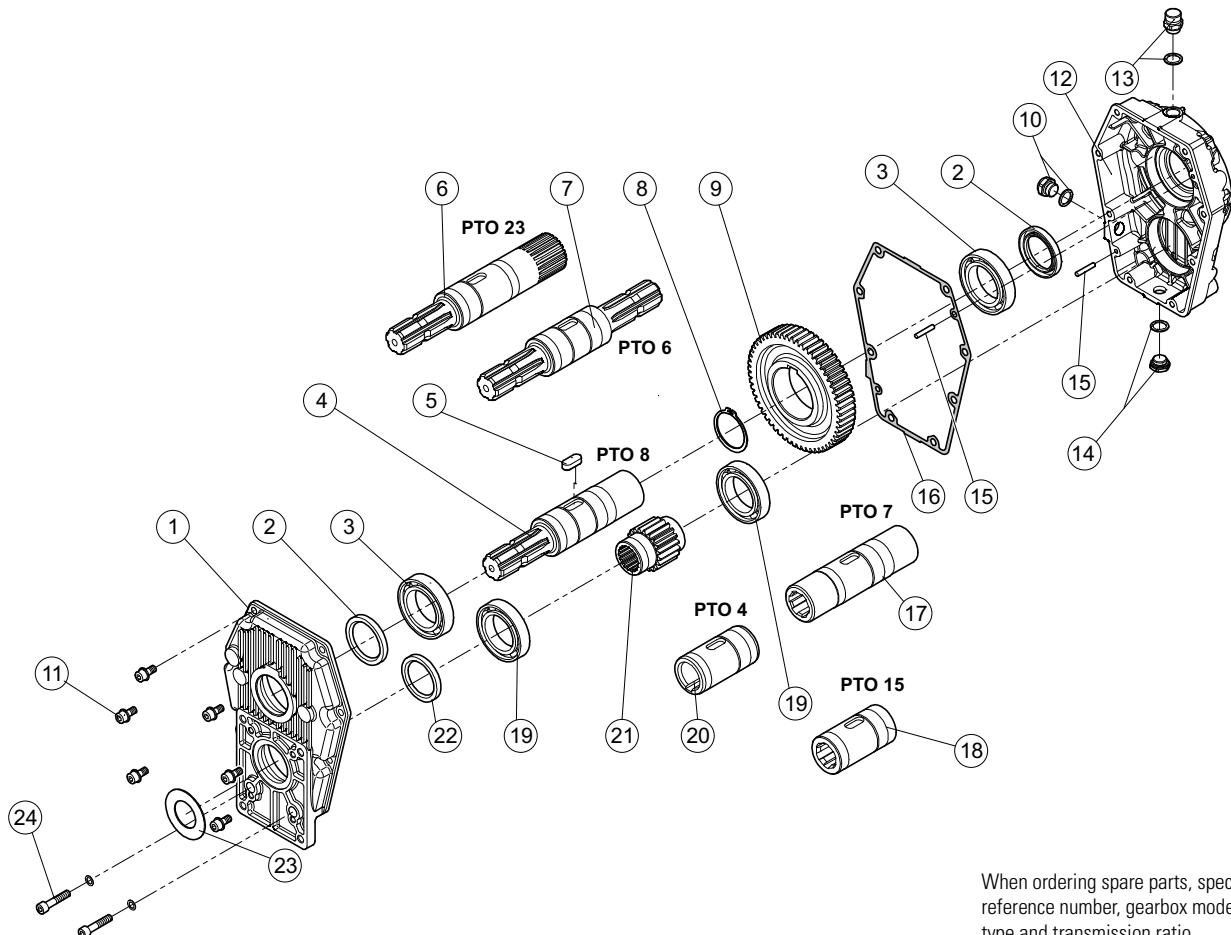
* Maximum torque on pump:
C1= maximum starting torque; C2= maximum torque for continuous duty.



Mounting positions	Oil liters [US gallon]
1	0.34 [0.09]
2	0.80 [0.21]
3	0.52 [0.14]
4	0.75 [0.20]

Input rpm		Output (transmission ratio)						
		1 : 1.0	1 : 1.5	1 : 2.0	1 : 2.6	1 : 3.0	1 : 3.4	1 : 3.8
540	curve	1	3	5	7	9	10	11
	rpm	540	810	1080	1408	1620	1836	2057
1000	curve	2	4	6	8	—	—	—
	rpm	1000	1500	2000	2607	—	—	—

SPARE PARTS



When ordering spare parts, specify reference number, gearbox model, PTO type and transmission ratio.